

Description

Firing Head

To perforate tubing using an explosive charge.
To set off a packer setting tool.

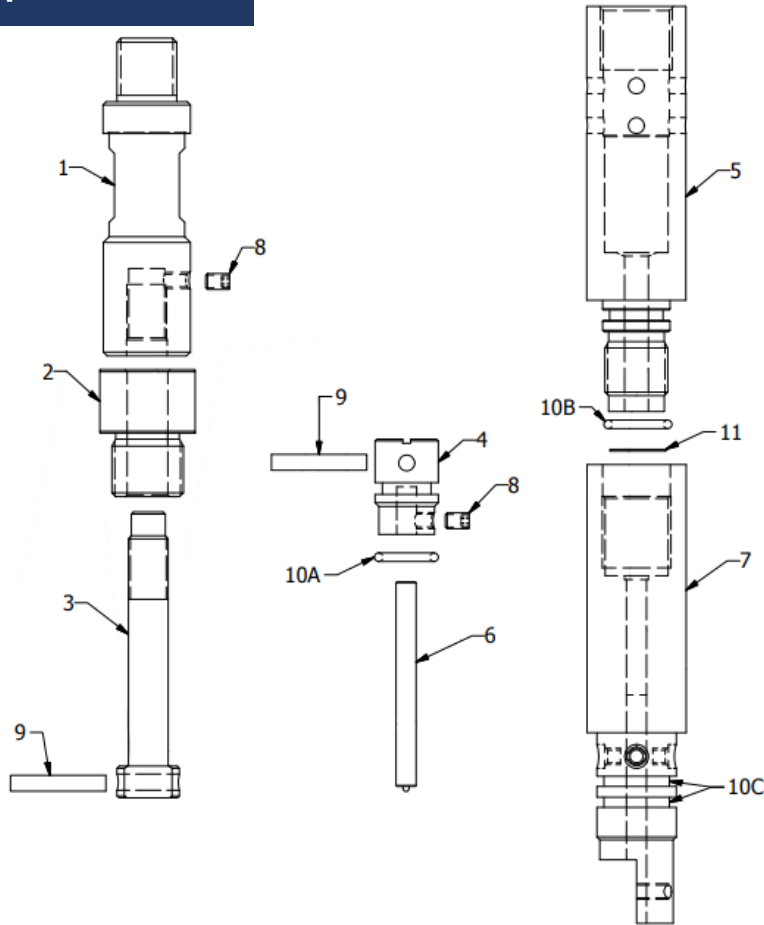


Features

Multiple styles of detonator subs available upon request.



Specifications



#	Part Name	1 1/2"
	Assembly	H1.500FH00
1	Top Sub	H1.500FH01
2	Retainer	H1.500FH03
3	Shaft	H1.500FH02
4	Hydraulic Piston	H1.500FH05H
4	Manual Piston (Not Shown)	H1.500FH05M
5	Shear Sub	H1.500FH04
6	Firing Pin	H1.500FH06
7	Detonator Sub	H1.500FH07
8	Set Screw	1/4-20UN
9	Shear Pin	1/4"
10A	O-Ring	210
10B	O-Ring	211
10C	O-Ring	214
11	Steel Shear Disc (Not Shown)	H1.500FH08
11	Brass Shear Disc	H1.500FH09

Purpose: To perforate tubing using an explosive charge. To set off packer setting tool.