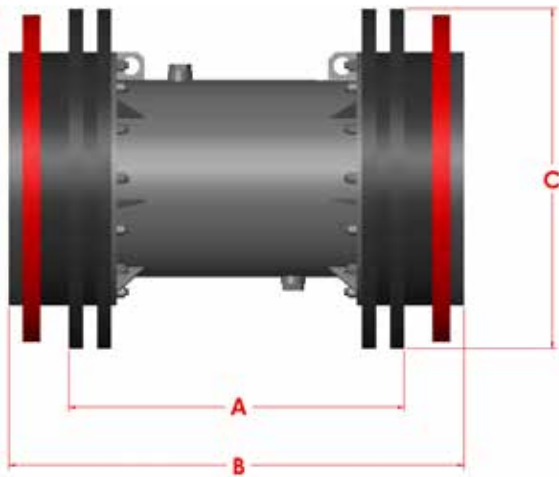


BI-DIRECTIONAL

ED

16-48" (406-1219mm)

The series ED pigs are bi-directional and used primarily for air and water displacement applications during the pressure test stage of construction. Designed to travel in either direction, the operator can fill the line with water and displace the water without removing the pig.



Size	A	B	C	Weight	Part #
16"	15.000	22.250	15.875	118	70705616
18"	17.000	24.250	17.900	142	70705618
20"	19.250	27.250	20.000	191	70705620
22"	21.500	30.250	22.000	215	70705622
24"	23.750	32.250	24.125	277	70705624
30"	29.750	38.500	30.125	442	70705630
36"	35.250	47.000	36.500	704	70705636
42"	41.250	55.250	42.625	1075	70705642
48"	46.500	60.000	48.875	1360	70705648

Features:

The ED version, with a combination of four sealing and two guide discs, offers a sealing arrangement suitable for separation of dissimilar fluids or for dewatering during hydrostatic testing. Sealing discs experiencing wear can reverse direction without compromising sealing characteristics. Standard bumper noses prevent damage to both the pig and in-line auxiliary equipment. All Apache 16"-48" pigs are manufactured with by-pass ports. The ports have threaded plugs that can be removed if by-pass is required.

Options:

- Circular flat carbon steel, stainless steel, pencil or plastic brushes.
- Transmitter housing to accommodate electronic tracking equipment.
- Aluminum or steel gauging plates are available in either slotted or standard styles.
- Magnets available.