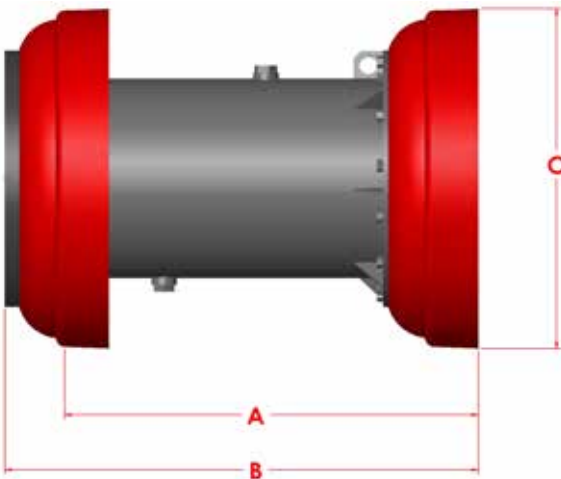


SCRAPER CUP

UC2

16-48" (406-1219mm)

The UC pig available in three versions. The basic two cup and three cup UC pigs are generally used for batching of dissimilar fluids. Cups can be changed or adapted to different configurations as the application dictates. The configuration of the four cup UC provides positive seal between dissimilar fluids and typically used for longer distance operations and for light cleaning of pipelines.



| Size | A | B | C | Weight | Part # |
|------|--------|--------|--------|--------|----------|
| 16" | 17.875 | 21.125 | 16.000 | 83 | 70380216 |
| 20" | 22.625 | 26.375 | 19.875 | 134 | 70380220 |
| 22" | 24.750 | 28.875 | 21.875 | 153 | 70380222 |
| 24" | 27.375 | 31.500 | 23.875 | 197 | 70380224 |
| 30" | 33.750 | 38.875 | 29.875 | 307 | 70380230 |
| 36" | 40.125 | 45.750 | 36.000 | 472 | 70380236 |
| 42" | 46.750 | 52.750 | 42.125 | 685 | 70380242 |
| 48" | 51.000 | 57.500 | 47.625 | 849 | 70380248 |

Features:

UC pigs are equipped with Apache Series C cups manufactured from high quality Reliathane. The large wear surface of the cup promotes longer life while the product pressure keeps the cutting edge firm against the pipe wall. Standard bumper noses prevent damage to both the pig and in-line auxiliary equipment. All Apache 16"-48" pigs are manufactured with by-pass ports. The ports have threaded plugs that can be removed if by-pass is required.

Options:

- Transmitter cavity for electronic tracking equipment.
- Aluminum or steel gauging plates are available in either slotted or standard styles.
- Magnets available.