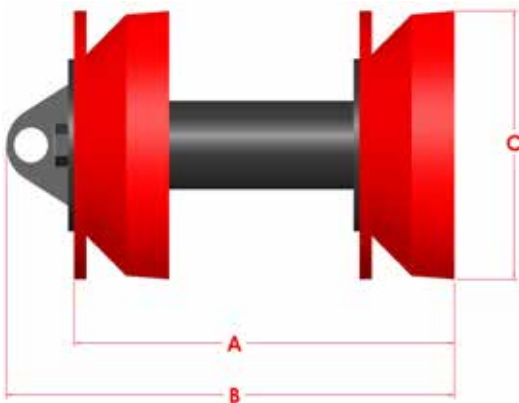


CONICAL CUP

DMD

3-14" (76-356mm)

The series DMD pig comes standard with a combination of two sealing discs and two series M Cups, providing a positive seal between dissimilar fluids and scraping capability. The increased surface area provided by multiple sealing components significantly improves overall cleaning and sealing capacity of the pig.



Size	A	B	C	Weight	Part #
3"	5.625	7.000	6.500	2	70685003
4"	7.250	8.875	8.375	3	70685004
6"	10.125	12.375	6.500	11	70685006
8"	11.875	14.125	8.375	20	70685008
10"	15.500	18.125	10.500	31	70685010
12"	20.875	18.125	12.500	46	70685012
14"	20.500	23.250	14.000	52	70685014

Features:

Configuration of the DMD pig offers a sealing arrangement suitable for separation of dissimilar fluids together with light scraping of pipeline during longer distance operations. Pipeline pigs mounted with conical cups can traverse pipeline anomalies of up to 20% without damage to inline auxiliary equipment.

Options:

- Circular flat carbon steel, stainless steel, pencil or plastic brushes.
- Aluminum or steel gauging plates are available in either slotted or standard styles.
- Magnets available.