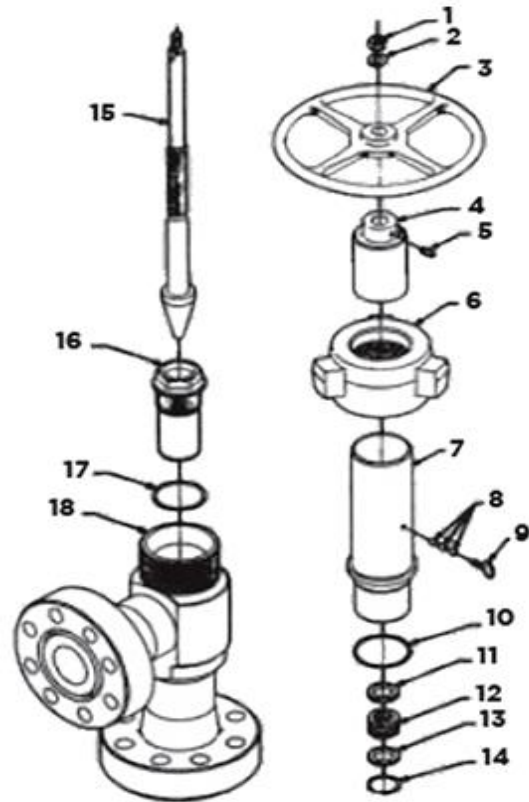


## Description

### 2" G-H2 Adjustable Choke

The G-H2 chokes are designed to reliably control the flow rate of fluids discharged from a well.

These chokes are available in Adjustable (stem & seat) or Positive (fixed bean) configurations, can be easily converted from adjustable to positive or vice versa, and are available with various end connections.



## Specifications

#	Description	Part Number	#	Description	Part Number
1	Hex Nut	CG101210	13	Junk Ring, SS	CG103220
2	Washer	CG101410	14	Packing Ring	CG103520
3	Handwheel	CG101610	15a	Stem, 2", SS/TC	CG104040
4	Indicator	CG101863	15b	Stem, 2.1", SS/TC	CG114040
5	Set Screw	CG102010	16a	Seat, 6.1", SS/TC	CG104240
6	Wing Nut	CG103610	16b	Seat, 2.1", SS/TC	CG104140
7	Bonnet	CG052810	17	Gasket	CG256220
8	Brass Plugs	CG106062	18	Body	POR
9	Thumb Screw	CG102210		2.1" Adapter	CG108020
10	O Ring	CG103865		Bean Wrench	CG109010
11	Junk Ring, SS	CG103220		2" N60 Adapter	CG108120
12	U-Packing H2S	CG103061			