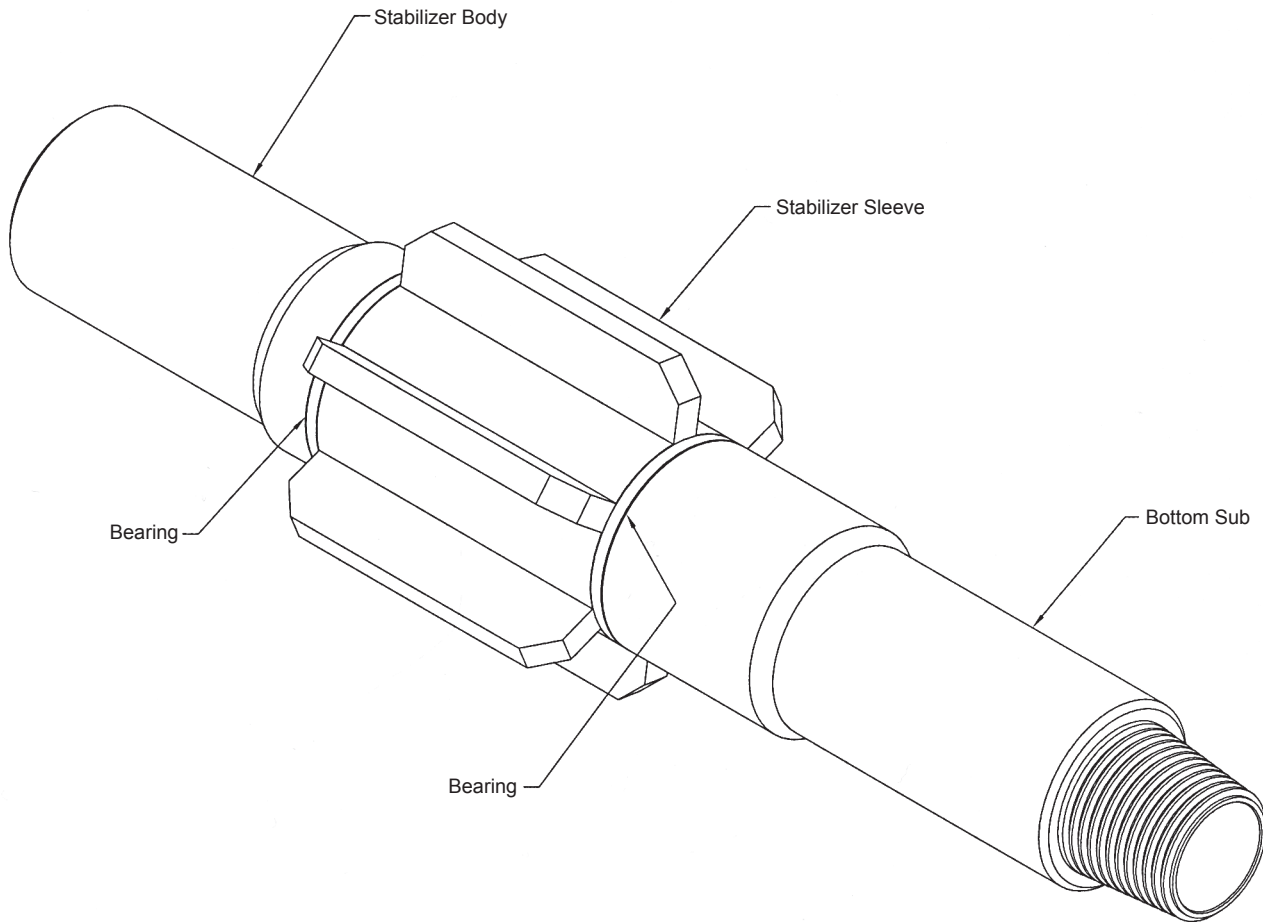




Fixed Blade Stabilizers



FIXED BLADE NON-ROTATING STABILIZERS

TOOL JOINT CONNECTION	2-3/8 API Reg	3-1/2 API IF	4-1/2 API IF	6-5/8 API Reg
OUTSIDE DIAMETER — INCHES	3-1/8	4-3/4	6-1/2	8
INSIDE DIAMETER — INCHES	1	2-11/16	3-3/4	3-1/2
COMPLETE ASSEMBLY	903-313	903-475	903-650	903-800

COMPONENTS

BODY	BW100	BW101	BW102	BW103
BEARING	BW200	BW201	BW202	BW203
No. Req'd	2	2	2	2
STABILIZER	BW300	BW301	BW302	BW303
BOTTOM SUB	BW400	BW401	BW402	BW403