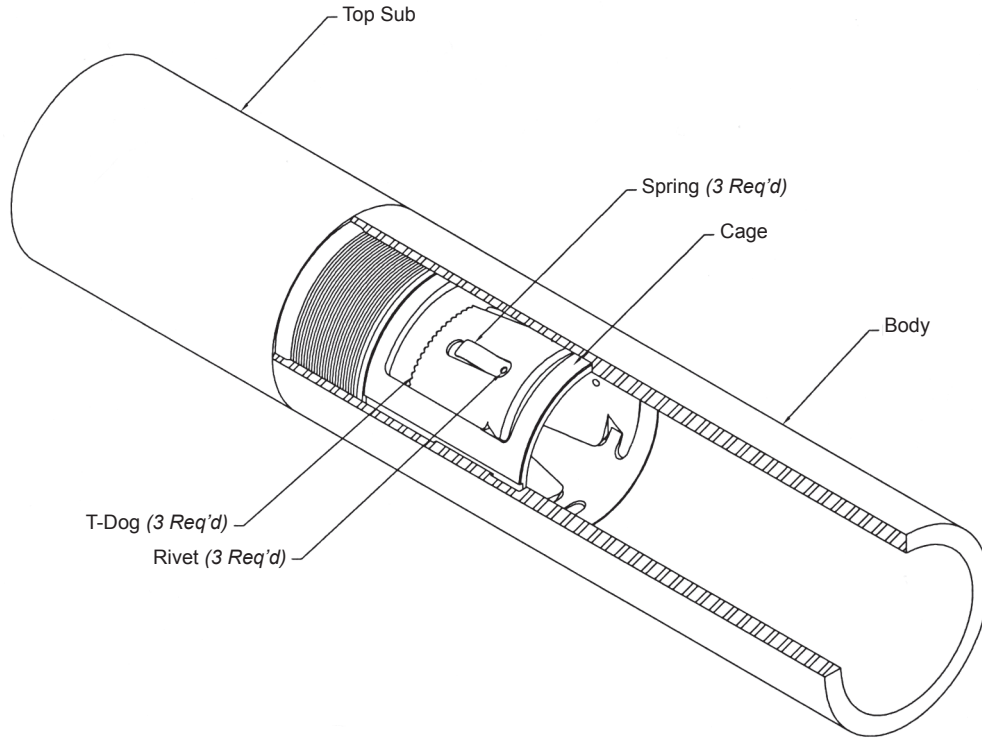




T-Dog Overshots



T-DOG OVERSHOTS

Overview

The T-Dog Overshot is designed to catch collared pipe or tubing and is releasable. The release operation may be repeated several times without damage the tool's ability to re-engage.

Construction

The body of the T-Dog Overshot is constructed from heat-treated alloy steel with flame-hardened slip teeth for positive engagement under the coupling. The solid body construction, with no windows, enables the T-Dog Overshot to be used in the washover string for

one-trip recovery. Box-pin washpipe connections allow the overshot to be positioned at any point in the washover string. The cage design allows the coupling to pass unrestricted through the tool to allow the washover of several joints of pipe at one time.

Operation

Although the T-Dog Overshot may be run anywhere in the washpipe, it is generally placed directly above the guide or rotary shoe. The tool is run down over the string of pipe, past a collar, or connection. The spring-loaded

T-dogs expand to pass over the collar. When the string is elevated the T-dogs firmly engage the coupling and the fish is retrieved.

The T-Dog Overshot may be released at any time by picking up and engaging a collar. A slight strain is maintained while the tool is slowly rotated to the right. This action enables the T-dogs to expand and release the coupling.

When ordering, please specify:

- (1) Name and number of assembly or part
- (2) Size and type of top connection

OVERSHOT O.D.	3-7/8	4-5/8	5-3/4	8-1/8
COMPLETE ASSEMBLY	195-388	195-463	195-575	195-813
TOP SUB	BB1000	BB1001	BB1002	BB1003
BODY	BB2000	BB2001	BB2002	BB2003
CAGE	BB3000	BB3001	BB3002	BB3003
T-DOG	BB4000	BB4001	BB4002	BB4003
To Catch	2-3/8 EUE	2-7/8 EUE
SPRING	BB5000	BB5000	BB5001	BB5002
RIVET	P16002	P16002	P16002	P16002