

Type J Safety Joints

TYPE J SAFETY JOINTS

Overview

The Type J Safety Joint provides a release option from tools such as taper taps or die collars that are normally non-releasable. It also provides a way to connect or disconnect fishing string and stuck fish.

Construction

Simple two-piece construction made of heat-treated alloy steel allows easy make-up and release. Special shear screws securely fasten the tool to prevent accidental unlatching before the fish is engaged.

Operation

The lugs on the top half of the Type J Safety Joint are secured when they engage with the J-slots on the bottom half.

To Release the Safety Joint

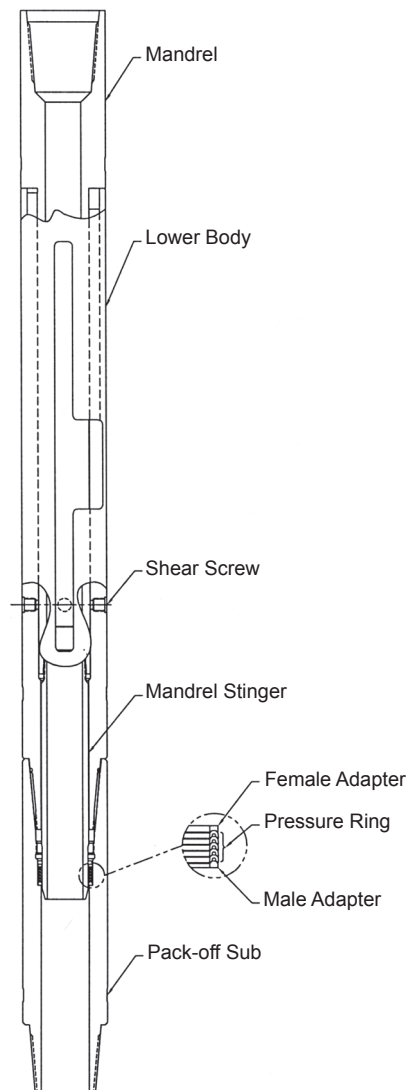
Once the fish is engaged, a tension load is applied to the string to shear the shear screws. After the screws have been sheared and the tension released, slight left-hand torque is applied to the string while it is elevated. The lugs will shift into the release slots and the two halves of the safety joint will separate.

To Reengage the Safety Joint

Slowly rotate the string to the right. Lower the string until the lugs on the top half engage the J-slots in the lower half. Stop rotation. Maintain right-hand torque on the lowered string until the joint is fully engaged. The joint will remain engaged until it is released.

When ordering, please specify:

- (1) Complete assembly or part number
- (2) O.D. of assembly
- (3) Size and type of connection
- (4) O.D., if other than standard. For oversize, add 10% for each additional 1/4" or portion thereof to Pin Section and Box Section.



STANDARD TOOL O.D.	4-1/8	4-3/4	6-1/4	7-3/4
COMPLETE ASSEMBLY	610-413	610-475	610-625	610-775
MANDREL	Y7000	Y7001	Y7002	Y7003
MANDREL STINGER	Y8000	Y8001	Y8002	Y8003
LOWER BODY	Y9000	Y9001	Y9002	Y9003
PACK-OFF SUB	Y10000	Y10001	Y10002	Y10003
GLAND NUT	Y11000	Y11001	Y11002	Y11002
FEMALE ADAPTER	SC3131-480	SC2652-480	SC3123-480	SC3433-480
MALE ADAPTER	SC3132-280	SC2652-280	SC3123-280	SC3433-280
CHEVRON PACKING	SC3132-160	SC2652-160	SC3123-160	SC3433-160
SHEAR SCREW	Y12000	Y12000	Y12000	Y12000
	No. Req'd.	2	2	4
GLAND WRENCH	Y13000	Y13001	Y13002	Y13002