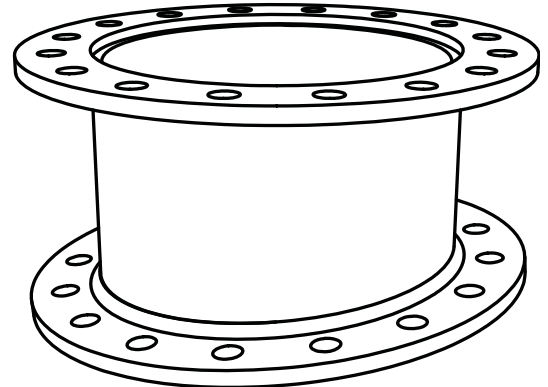


Vapor Control > Accessories **Risers, Spools & Pipe-aways**

We offer Riser, Spool and Pipe-away System adapters to complement our vapor control product line.

Hatch Risers

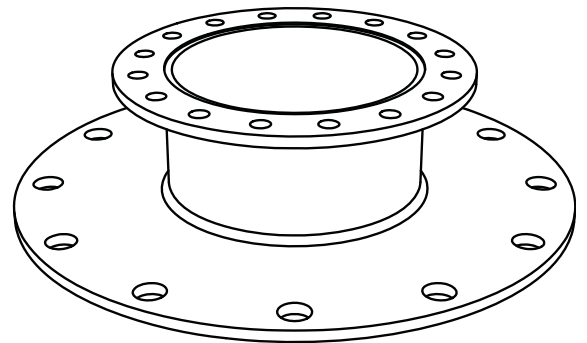
Hatch risers are used to mount Marsh Hawk TRV units to tanks with sloped roofs. The riser accommodates the slope angle of the roof, allowing the hatch to sit in an upright orientation, while keeping the internals of the vent within the heat envelope of the tank. The risers have 8" API mounting flanges on top and bottom, and a canted at the standard 12:1 roof pitch.



Above: Vent Riser, with 12:1 Pitch
Below: 12 150# ANSI to 8 API Spool Adapter

Adapter Spools

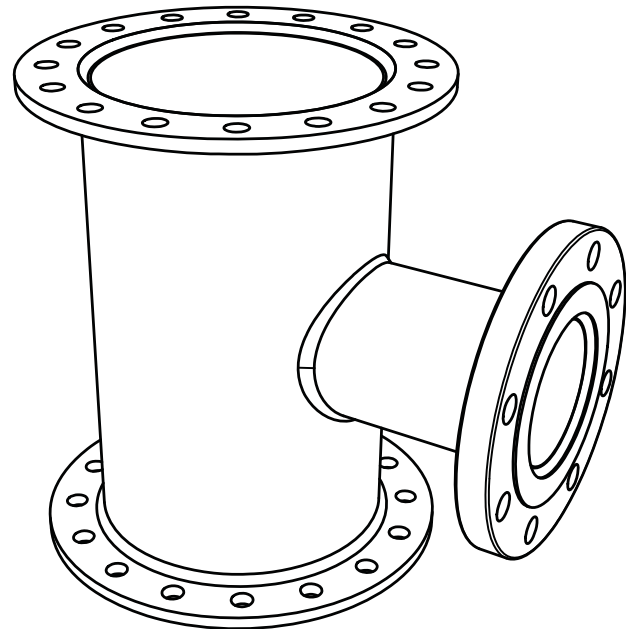
Adapter spools are used to mount a Marsh Hawk or TVTH to a tank lacking the standard 8" API mounting pattern. The spool height accommodates fastener installation, while keeping the Marshhawk internals within the heat envelope of the tank. Common adapter spools include 8 and 12 150# ANSI, as well as the API 18" and 22" oblong bolt patterns. Custom mounting patterns can be accommodated, call us for more information.



Below: Pipe Away with 4 150# ANSI Flange pipe connection

Pipe-away System

The Pipe-away system provides means to capture emissions from a tank while still maintaining the pressure- and vacuum -relief characteristics of a Marsh Hawk TRV. The Pipe-away System sports a 4" 150# ANSI flange connection to pipe vapors away, in addition to a 8" API flange at the top that can accommodate a TVTH. The Pipe-away ships standard with a modified Marsh Hawk, blind 8" API flange, gaskets and tank mounting hardware.

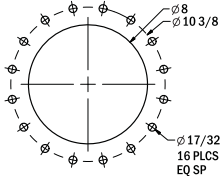


Construction

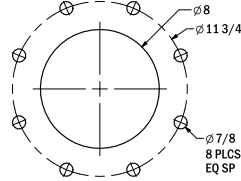
Risers, spools and pipe-away systems are welded carbon steel, and coated with high temperature flat-black paint.

Vapor Control > Accessories Risers, Spools & Pipe-aways

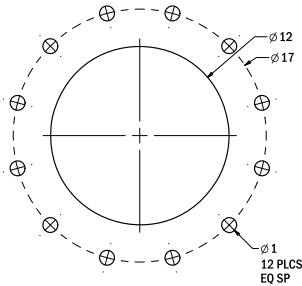
Common Spool Adapter Bolting Patterns



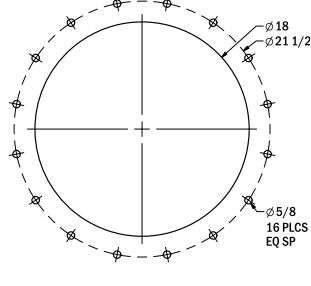
8 API API 12B Figure 3.9
Standard Thief Hatch



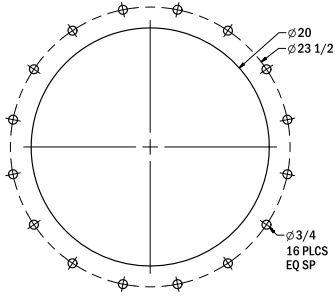
8 150# ANSI ANSI B16.5



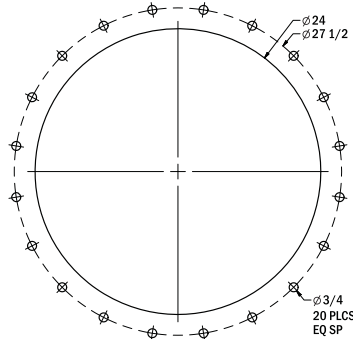
12 150# ANSI ANSI B16.5



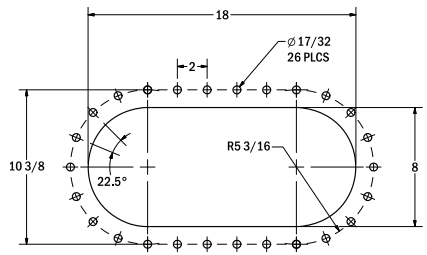
18 API API 650



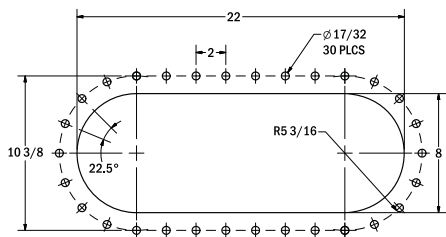
20 API API 650



24 API API 650

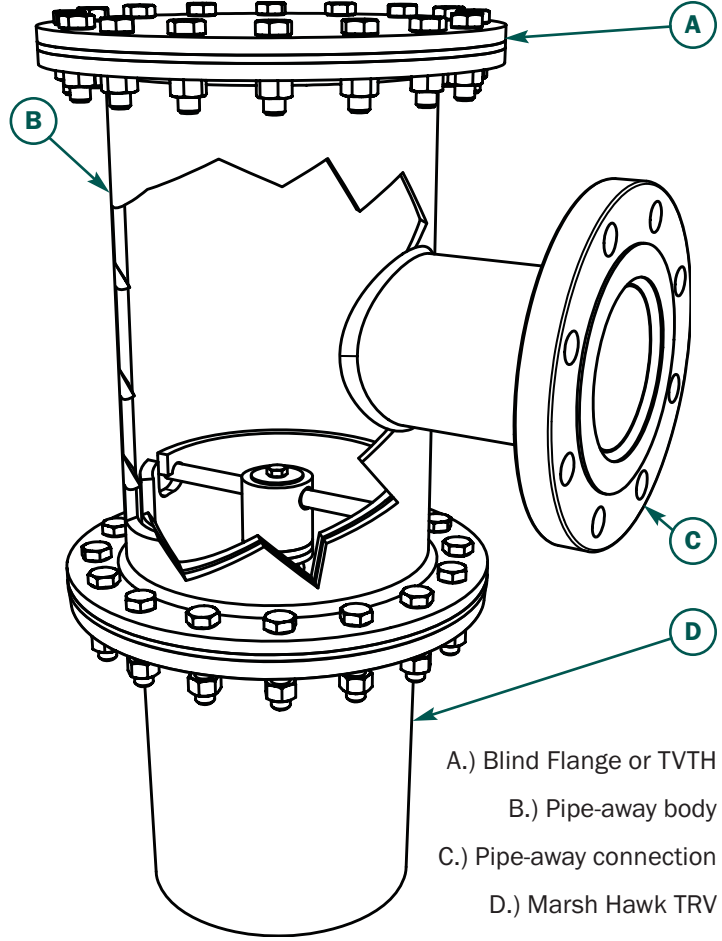


API 8 X 18 Oblong Pattern API 12B, Figure 3.10



API 8 X 22 Oblong Pattern API 12B, Figure 3.11

Pipe-Away Configuration



- A.) Blind Flange or TVTH
- B.) Pipe-away body
- C.) Pipe-away connection
- D.) Marsh Hawk TRV

Ordering Information

RISER

- 1.) Specify the 12:1 Vent Riser
- 2.) Specify Tank Connection (8 API Standard)

SPOOL ADAPTER

- 1.) Specify Spool Adapter
- 2.) Specify Tank Bolt Pattern (see left for typical connections)

PIPE-AWAY SYSTEM

- 1.) Specify Pipe-away System
- 2.) The following steps are the same as ordering a Marsh Hawk
 - a.) Specify Marsh Hawk TRV
 - b.) Specify Pressure Release Setting (2 - 16 oz / in2)
 - c.) Specify Seal Material
- 3.) Specify Pipe-away connection (4 150# ANSI Standard)